



User Manual

Introduction

This USB3.0 enclosure is for the use of 2.5" SATA I/II/III HDD/SSD, following USB3.0 super-speed specification, and compliant w/USB2.0/1.1. This enclosure is one of the best storage solutions available.

Features

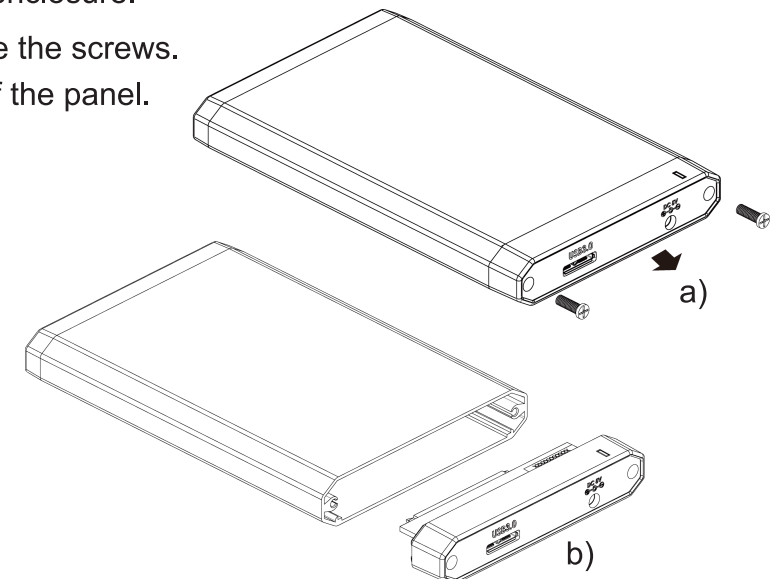
- Driver free.
- Supports Plug & Play.
- LED indicators for power & HDD activity.
- Transfer rate: USB3.0 up to 5Gbps, USB2.0 up to 480Mbps.
- USB3.0 HDD enclosure for 2.5" SATA I / II / III HDD/SSD use.
- USB3.0 Y-cable power supply and data transmission, full power.

Specifications

Weight	145g	Conformance	CE, RoHS
Interface	USB3.0/USB2.0	Material	Plastic & aluminum
Humidity	Operating: 10% - 90% Storage: 5% - 95%	Temperature	Operating: 0°C+75°C Storage: -10°C+80°C
LED	Power & Access(Blue)	Transfer rate	USB3.0 : 5Gbps USB2.0 : 480Mbps
Power support	USB Bus-power, +5V/1800mA (Max)		
HDD Type	Windows 2000/XP/Vista/7/8, MAC OS 10.0 +, Linux		

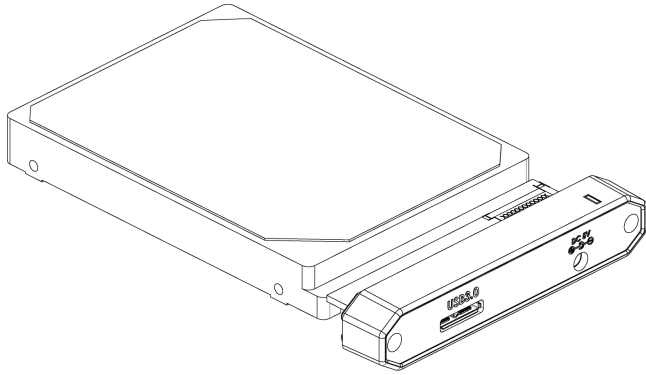
Installation

1. Open the enclosure.
 - a) Remove the screws.
 - b) Take off the panel.

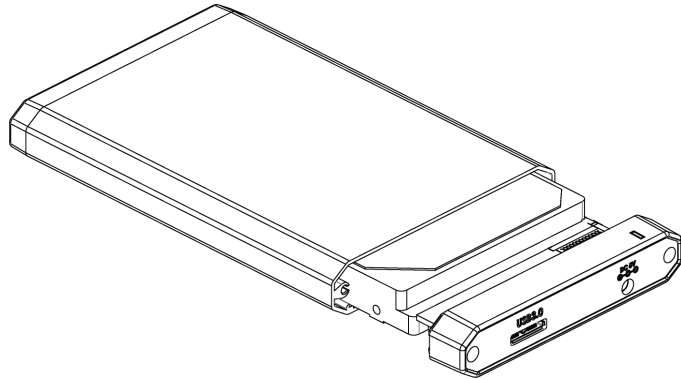


Installation

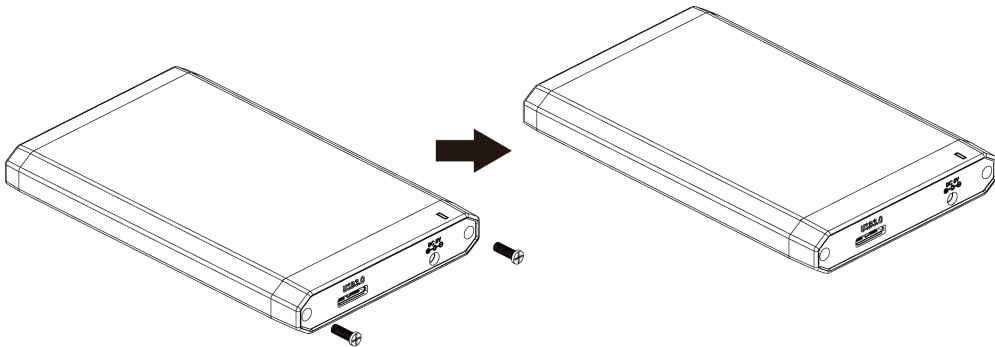
2. Install 2.5" SATA HDD/SSD to the SATA connector.



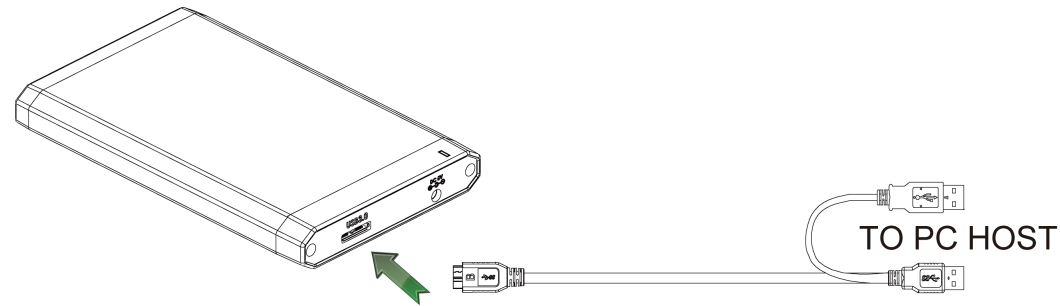
3. Insert the hard drive panel back on to the enclosure as shown on the picture below.
Be sure to mount the panel correctly to the fastenings on the housing.



4. Fasten the panel to the housing using the screws.



5. Connect the enclosure to the PC using the USB3.0 Y-cable.
The PC will recognize the connected HDD immediately.
You will then have instant access to your new Hardware.



Caution:

1. When connecting the enclosure for the first time, please wait until it is recognized. (different OS and different hardware may cause delay)
2. The enclosure is also compliant to USB2.0 interface, reaching a transfer rate of maximum 480Mbps.
3. If the desktop or laptop does not support USB3.0 interface, please use the external PCI Express card (for desktop), or PCMCIA Express card (for laptop) to upgrade the system to the best USB3.0 transfer rate available.
4. Please ensure that the USB3.0 host card driver supports the operating system.
5. Before connecting to the PC, please ensure that the HDD is installed correctly.
6. Please partition and format the new HDD before use.
7. To avoid any loss of data, do not remove the enclosure whilst the HDD is in use.
8. To remove the HDD, close all working windows, remove the device safely and disconnect the USB3.0 Y-cable.
9. Under Windows XP OS, the maximum capacity of the HDD is 2TB. (Please check Windows official website for detailed information)
10. If the HDD is not in use, please leave it disconnected.
11. This product is only intended for use in dry, indoor locations. Avoid exposure to wet or moist conditions, only take a hold of it with dry hands.