

# Panasonic

# LUMIX S1II

Operating Instructions  
<Quick Start Guide>  
Digital Camera  
DC-S1M2

Please read these instructions carefully before using this product, and save this manual for future use.

## Operating Instructions <Complete Guide>



Refer to "Operating Instructions <Complete Guide>" (HTML format/PDF format) for details about how to use the camera and notes on use.

<https://panasonic.jp/support/dsc/oi/S1M2/index.html>

Manufactured by:  
Panasonic Entertainment & Communication Co., Ltd.  
1-10-12, Yagumo-higashi-machi, Moriguchi City, Osaka, Japan

Importer for UK:  
Panasonic UK, a branch of Panasonic Marketing Europe GmbH  
Maxis 2, Western Road, Bracknell, Berkshire, RG12 1RT

Importer for EU:  
Panasonic Marketing Europe GmbH  
Hagenauer Strasse 43, 65203 Wiesbaden, Germany

Authorized Representative in EU:  
Panasonic Marketing Europe GmbH  
Panasonic Testing Centre  
Winsbergring 15, 22525 Hamburg, Germany

Panasonic Entertainment & Communication Co., Ltd.

Web Site: <http://www.panasonic.com>

© Panasonic Entertainment & Communication Co., Ltd. 2025

DVQX2640ZA

F0325TN0

E

### Dear Customer,

We would like to take this opportunity to thank you for purchasing this Panasonic Digital Camera. Please read this document carefully and keep it handy for future reference. Please note that the actual controls and components, menu items, etc. of your Digital Camera may look somewhat different from those shown in the illustrations in this document.

## Information for Your Safety

### WARNING:

To reduce the risk of fire, electric shock or product damage,

- Do not expose this unit to rain, moisture, dripping or splashing.
- Use the recommended accessories.
- Do not remove covers.
- Do not repair this unit by yourself. Refer servicing to qualified service personnel.

### Product identification marking

| Product         | Location |
|-----------------|----------|
| Digital camera  | Bottom   |
| Battery charger | Bottom   |

### Declaration of Conformity (DoC) for EU:

Hereby, "Panasonic Entertainment & Communication Co., Ltd." declares that this product is in compliance with the essential requirements and other relevant provisions of Directive 2014/53/EU.

Customers can download a copy of the original DoC for our RE products from our DoC server: <https://www.ptc.panasonic.eu/compliance-documents>  
Importer for EU: Panasonic Marketing Europe GmbH  
Hagenauer Strasse 43, 65203 Wiesbaden, Germany  
Authorized Representative in EU: Panasonic Marketing Europe GmbH  
Panasonic Testing Centre, Winsbergring 15, 22525 Hamburg, Germany

5.15 - 5.35 GHz band is restricted to indoor operations only in the following countries.

|    |    |    |    |    |    |    |    |    |    |    |    |    |    |    |      |    |    |
|----|----|----|----|----|----|----|----|----|----|----|----|----|----|----|------|----|----|
| AT | BE | BG | CZ | DK | EE | FR | DE | IS | IE | IT | EL | ES | CY | LV | LI   | LT | LU |
| HU | MT | NL | NO | PL | PT | RO | SI | SK | TR | FI | SE | CH | HR | UK | (NI) | RS |    |

### Declaration of Conformity (DoC) for UK:

Hereby, "Panasonic Entertainment & Communication Co., Ltd." declares that this product is in compliance with the essential requirements and other relevant provisions of the Radio Equipment Regulations 2017.

Customers can download a copy of the original DoC for our RE products from our DoC server: <https://www.ptc.panasonic.eu/compliance-documents>  
Importer for UK: Panasonic UK, a branch of Panasonic Marketing Europe GmbH  
Maxis 2, Western Road, Bracknell, Berkshire, RG12 1RT

5.15 - 5.35 GHz band is restricted to indoor operations only in the UK.

### Maximum power and operating frequency bands of transmitter

| Type of wireless | Frequency band (central frequency) | Maximum power (dBm e.i.r.p.) |
|------------------|------------------------------------|------------------------------|
| WLAN             | 2412-2472 MHz                      | 13 dBm                       |
|                  | 5180-5320 MHz                      | 13 dBm                       |
|                  | 5500-5700 MHz                      | 13 dBm                       |
| Bluetooth        | 5745-5825 MHz                      | 13 dBm                       |
|                  | 2402-2480 MHz                      | 10 dBm                       |

### About the battery pack

#### CAUTION

- Danger of explosion if battery is incorrectly replaced. Replace only with the type recommended by the manufacturer.
- When disposing of the batteries, please contact your local authorities or dealer and ask for the correct method of disposal.

- Do not heat or expose to flame.
- Do not leave the battery(ies) in a car exposed to direct sunlight for a long period of time with doors and windows closed.
- Do not expose to low air pressure at high altitudes.
- Do not expose to extremely low air pressure, as this may result in explosions or leakage of flammable liquids and gases.

#### Warning

Risk of fire, explosion and burns. Do not disassemble, heat above 60 °C or incinerate.

- Always use a genuine Panasonic Shutter Remote Control (DMW-RS2: optional).
- Always use a genuine Panasonic Tripod Grip (DMW-SHGR2/DMW-SHGR1: optional).
- Use an Ultra High Speed HDMI cable (Type A--Type A plug) with the length less than 3 m (9.8 feet).
- Use a headphone cable with the length less than 3 m (9.8 feet).
- Use a stereo microphone cable with the length less than 3 m (9.8 feet).

- Keep the hot shoe cover out of reach of children to prevent swallowing.
- Keep the cover for the battery grip connector out of reach of children to prevent swallowing.
- Keep the memory card out of reach of children to prevent swallowing.
- Excessive sound pressure from earphones and headphones can cause hearing loss.

## Standard Accessories

Product numbers correct as of May 2025.

### Digital camera body

|                                     |   |
|-------------------------------------|---|
| <b>Battery pack</b><br>DMW-BLK22    | <b>Body cap</b> <sup>*1</sup><br>1HE1MC891Z                           |
| <b>Battery charger</b><br>DVLC1005Z | <b>Hot shoe cover</b> <sup>*1</sup><br>4HR1MC5229Z                    |
| <b>Shoulder strap</b><br>DVPW1040Z  | <b>Cover for the battery grip connector</b> <sup>*1</sup><br>SKF0145K |

### Interchangeable lens "LUMIX S 24-105mm F4 MACRO O.I.S."<sup>\*2</sup>

S-R24105

|  |   |
|--|---|
| <b>Lens hood</b><br>1ZE4SR24105Z           | <b>Lens rear cap</b> <sup>*3</sup><br>RGE1Z276Z |
| <b>Lens cap</b> <sup>*3</sup><br>1GE1Z276Z |   |

\*1 This is attached to the camera at the time of purchase.

\*2 This is supplied with Lens Kit DC-S1M2M.

\*3 This is attached to the lens at the time of purchase.

- Consult the dealer or Panasonic if you lose the supplied accessories. (You can purchase the accessories separately.)

For the United Kingdom and Ireland customers

### Sales and Support Information

#### Customer Communications Centre

- For customers within the UK: 0344 844 3899
- For customers within Ireland: 01 289 8333
- Monday–Friday 9:00 am–5:00 pm (Excluding public holidays).
- For further support on your product, please visit our website: [www.panasonic.co.uk](http://www.panasonic.co.uk)

#### Direct Sales at Panasonic UK

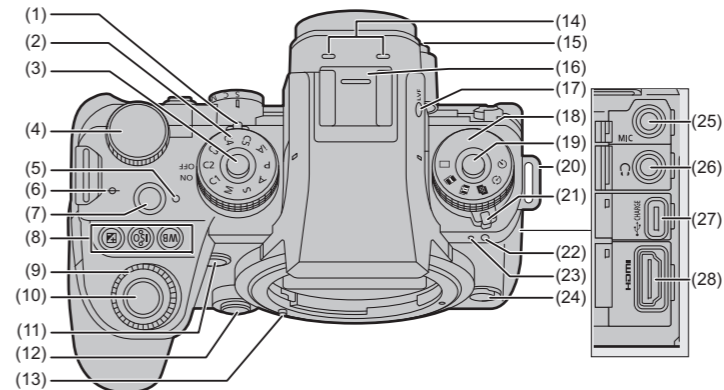
- Order accessory and consumable items for your product with ease and confidence by phoning our Customer Communications Centre Monday–Friday 9:00 am–5:00 pm (Excluding public holidays).

- Or go on line through our Internet Accessory ordering application at [www.pas-europe.com](http://www.pas-europe.com).
- Most major credit and debit cards accepted.

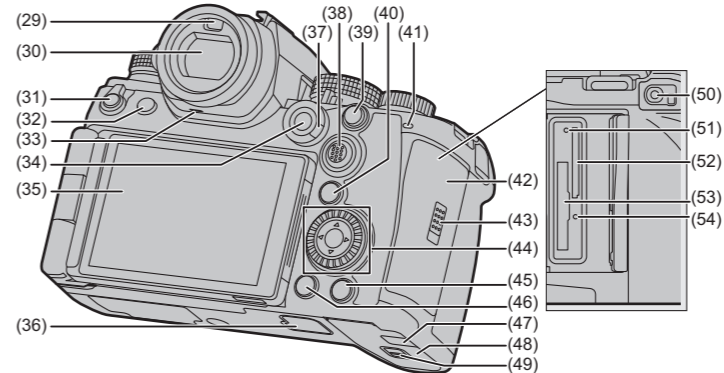
- All enquiries transactions and distribution facilities are provided directly by Panasonic UK.
- It couldn't be simpler!

- Also available through our Internet is direct shopping for a wide range of finished products. Take a browse on our website for further details.

## Names of Important Parts



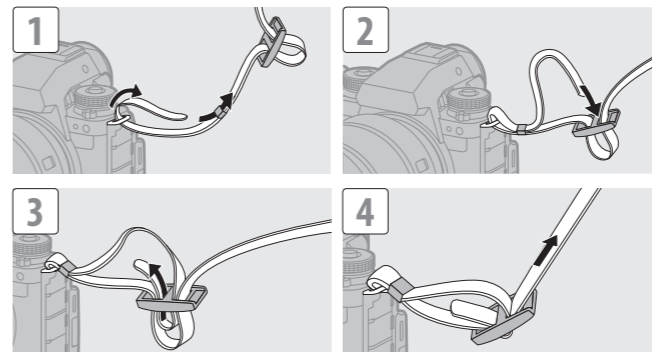
- |   |  |
|---|--|
| (1) Camera on/off switch  | (13) Lens lock pin (Lens fitting mark) |
| (2) Mode dial   | (14) Stereo microphone                 |
| (3) Mode dial lock button                                       | (15) Diopter adjustment dial           |
| (4) Rear dial   | (16) Hot shoe (hot shoe cover)         |
| (5) Charging light/Network connection light                     | (17) [LVF] button                      |
| (6) [ ] (Recording distance reference mark)                     | (18) Drive mode dial                   |
| (7) Video rec. button   | (19) Drive mode dial lock button       |
| (8) [WB] (White balance) button                                 | (20) Shoulder strap eyelet             |
| [ISO] (ISO sensitivity) button                                  | (21) Photo/video/S&Q switch            |
| [ ] (Exposure compensation) button                              | (22) Self-timer light/AF assist light  |
| (9) Front dial  | (23) Front tally lamp                  |
| (10) Shutter button   | (24) Sub video rec. button             |
| (11) AF-Point Scope button/Enlarged live display (video) button | (25) [MIC] socket                      |
| (12) Lens release button  | (26) Headphone socket                  |
|   | (27) USB port                          |
|   | (28) HDMI socket                       |



- |  |  |
|--|--|
| (29) Eye sensor  | (43) Card door lock lever                        |
| (30) Viewfinder  | (44) Control dial ( )                            |
| (31) Operation lock lever  | Cursor buttons (▲▼▶◀)                            |
| (32) [ ] (Playback) button   | [MENU/SET] button ( )                            |
| (33) Speaker   | (45) [DISP.] button                              |
| (34) [ ] (AF mode) button  | (46) [ ] (Cancel) button/<br>[ ] (Delete) button |
| (35) Monitor/Touch screen  | (47) DC coupler cover                            |
| (36) Battery grip connector (cover for the battery grip connector) | (48) Battery door                                |
| (37) Focus mode lever  | (49) Battery door release lever                  |
| (38) Joystick  | (50) [REMOTE] socket                             |
| (39) [AF ON] button  | (51) Card access light 2                         |
| (40) [Q] (Quick menu) button                                       | (52) Card slot 2                                 |
| (41) Rear tally lamp/Rear card access light                        | (53) Card slot 1                                 |
| (42) Card door   | (54) Card access light 1                         |

## Attaching a Shoulder Strap

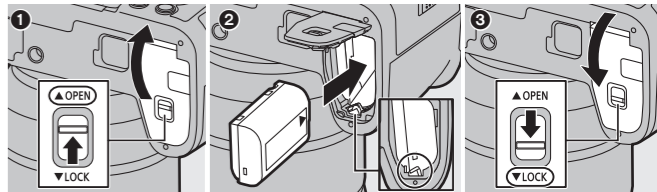
Attach a shoulder strap to the camera with the following procedure to prevent it from dropping.



## Charging the Battery

Charge using an AC adaptor (optional/commercially available) and a USB connection cable (commercially available).

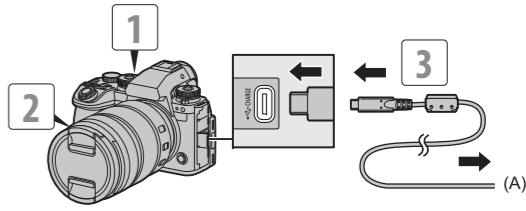
- 1 Set the camera on/off switch to [OFF].
- 2 Insert the battery into the camera.



- 3 Connect the camera USB port and the AC adaptor using the USB connection cable.

- 4 Connect the AC adaptor to an electrical outlet.

- The charging light turns red and charging begins. The charging light turns off when charging is complete.



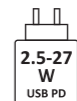
(A) To the AC adaptor

| Charging time | Approx. 170 min |
|---------------|-----------------|
|---------------|-----------------|

- Using either the camera body and the optional AC Adaptor (DMW-AC11) or the camera body and the supplied accessories of the optional Battery Charger (DMW-BTC15).
- The supplied charger can also be used to charge instead of the camera body.

### Cautions

- The battery that can be used with the camera is DMW-BLK22. (As of May 2025)
- **Always use genuine Panasonic batteries (DMW-BLK22).**
- **If you use other batteries, we cannot guarantee the quality of this product.**
- **It is recommended to use the Panasonic AC Adaptor (DMW-AC11: optional) or the supplied accessories of the Panasonic Battery Charger (DMW-BTC15: optional) for charging.**
- You can charge with the camera body or the supplied charger using a commercially available AC adaptor and a USB connection cable.
  - \*Recommended specifications for the commercially available AC adaptor
    - Supports PD (Power Delivery)
    - Supports 9 V/3 A (27 W) DC output
    - USB Type-C terminal
  - \*Use a USB connection cable with 27 W output or better for charging.
- You can also use an AC adaptor with 5 V/500 mA or better for charging. However, charging time may be longer than with the recommended AC adaptor.
- Operation is not guaranteed with all commercially available devices.
- Using charging methods other than those specified may result in fluid leakage, overheating, combustion, rupturing, etc., and these may cause injury.
- This battery may present a risk of fire or chemical burn if mistreated.
- Place the removed battery in a plastic bag, and store or keep away from metallic objects (clips, etc.).
- When disposing of the batteries, please contact your local authorities or dealer and ask for the correct method of disposal.



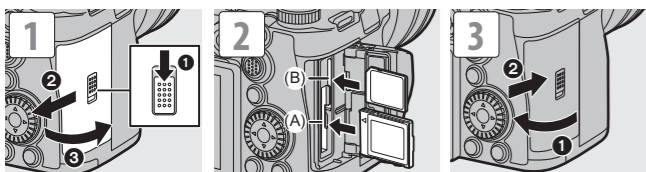
### USB PD fast charging

The power delivered by the charger must be between min. 2.5 Watts required by this product, and max. 27 Watts in order to achieve the maximum charging speed.

## Inserting Cards (Optional)

You can use CFexpress cards and SD memory cards with this camera.

- For information on memory cards with confirmed operation, check the following support site:  
<https://panasonic.jp/support/global/cs/dsc/connect/index.html>  
(English only)



(A) Card slot 1: CFexpress card  
(B) Card slot 2: SD card

- Match the orientation of the cards as shown in the figure and then insert them firmly until they click.
- To remove a card, confirm that the corresponding card access light has turned off, push the card until it clicks, then pull the card out straight.
- Format the cards with the camera before use.

**CAUTION, HOT CARD**

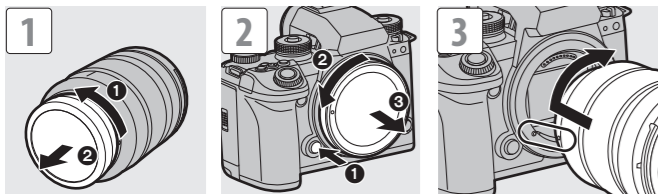
- As indicated on the inside of the card door, the card may be hot just after the camera has been used. Be careful when removing. When a warning of high temperature is indicated on the screen, do not take the card out immediately, but rather wait for the temperature to drop and the indication to disappear.

(C) CAUTION, HOT CARD

## Attaching a Lens

The lens mount of this camera is compliant with the L-Mount standard of Leica Camera AG.

- Refer to catalogs/websites for information regarding supported lenses.  
<https://panasonic.jp/support/global/cs/dsc/connect/index.html>  
(English only)
- Attaching commercially available accessories that do not comply with the L-Mount standard may lead to operation failure or malfunction of the camera.
- If a failure or malfunction occurs due to this cause, the warranty will be void.



- Attach by rotating the lens until it clicks.
- When removing the lens or body cap, rotate while pressing the lens release button.

## Setting the Clock (When Turning On for the First Time)

When you turn the camera on for the first time, a screen to set the time zone and clock appears. Follow the message to make the settings.

**1** Press to select the language if a language selection screen is displayed.

**2** Press to select the language if a language selection screen is displayed.

Year, month, day, hour, minute, and second selection

Time zone selection

Daylight Savings setting

Value selection

Check or confirm and move to the next screen

## Taking Pictures/Recording Videos

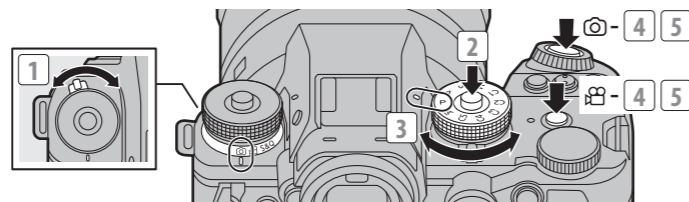
- Switch the photo/video/S&Q switch ( or ).
- Press the mode dial lock button to release the lock.
- Rotate the mode dial to select the recording mode (/[P]/[A]/[S]/[M]).

When taking pictures:

- Press the shutter button halfway (press it gently) to focus.
- Press the shutter button fully (press it further) to take pictures.

When recording video:

- Press the video rec. button to start recording.
- Press the video rec. button again to end recording.



## Playing Back Images

Card slot

- Image selection
- Plays back/pauses video
- Stop video

## Cautions for Use

### ❖ Firmware of Your Camera/Lens

Firmware updates may be provided in order to improve camera capabilities or to add functionality.

- For the latest information on the firmware or to download/update the firmware, visit the following support site:  
<https://panasonic.jp/support/global/cs/dsc/download/index4.html>  
(English only)



### ❖ Splash Resistant

**Splash Resistant is a term used to describe an extra level of protection this camera offers against exposure to a minimal amount of moisture, water or dust. Splash Resistant does not guarantee that damage will not occur if this camera is subjected to direct contact with water.**

**In order to minimize the possibility of damage please be sure the following precautions are taken:**

- Splash Resistant works in conjunction with the lenses that were specifically designed to support this feature.
- Securely close the doors, contact points cover, etc.
- When the lens or cap is removed or a door is open, do not allow sand, dust, and moisture to enter inside.
- If liquid gets on the camera, wipe it off with a dry soft cloth.

### ❖ Be Sure to Perform Trial Recording in Advance

Be sure to perform trial recording in advance to check that recording can be performed normally.

Please note that compensation cannot be provided in the event that recording could not be performed due to a problem with the camera or a card.

### ❖ Be Careful with Regard to Copyrights

Under copyright law, you may not use the images and audio you have recorded without the permission of the copyright holder.

### ❖ Caution with Strong Light Beams Such as Laser Light

Do not allow strong light beams, such as laser light, to be directly exposed to this camera (lens). These can destroy the image sensor and cause the camera to malfunction.

### ❖ The camera

**Keep this unit as far away as possible from electromagnetic equipment (such as microwave ovens, TVs, video games etc.).**

- If you use this unit on top of or near a TV, the pictures and/or sound on this unit may be disrupted by electromagnetic wave radiation.
- Do not use this unit near cell phones because doing so may result in noise adversely affecting the pictures and/or sound.
- Recorded data may be damaged, or pictures may be distorted, by strong magnetic fields created by speakers or large motors.
- Electromagnetic wave radiation may adversely affect this unit, disturbing the pictures and/or sound.
- If this unit is adversely affected by electromagnetic equipment and stops functioning properly, turn this unit off and remove the battery or disconnect AC adaptor. Then reinsert the battery or reconnect AC adaptor and turn this unit on.

**Do not use this unit near radio transmitters or high-voltage lines.**

- If you record near radio transmitters or high-voltage lines, the recorded pictures and/or sound may be adversely affected.

### ❖ Wi-Fi® Function

**Use of the Wi-Fi function of the camera is presumed to be in countries where it is sold.**

There is the risk that the camera violates the radio wave regulations if used in countries other than those where it is sold, and Panasonic takes no responsibility for any violations.

- When [Sleep Mode] or [Sleep Mode(Wi-Fi)] in [Power Save Mode] is set to [OFF], the power consumption of this camera may rise.
- For more information about the energy efficiency of the product, please visit our website, [www.panasonic.com](http://www.panasonic.com), and enter the model number in the search box.
- Please be advised that Panasonic is not liable for any damage directly or indirectly caused by use (including use in combination with the products of other companies) or malfunction of this product.
- Please be advised that Panasonic is not liable for any damage to data caused by this product.
- The external design and specifications of this product, as described in this document, may differ from the actual product.
- Illustrations used in this document may differ from the actual product and the actual images displayed on the product.
- Images used in this document are sample pictures used to explain the functions and effects.

## Main Specifications

The specifications are subject to change for performance enhancement.

### Digital camera body (DC-S1M2):

Information for your safety

|                           |   |
|---------------------------|---|
| <b>Power source:</b>      | 9.0 V ===   |
| <b>Power consumption:</b> | 5.2 W (when recording with the monitor), 3.9 W (when playing back with the monitor)<br>[When using the interchangeable lens (S-R24105)] |

| Type  |  |
|---|--|
| <b>Type</b>                                     | Digital Single Lens Mirrorless camera  |
| <b>Lens mount</b>                               | Leica Camera AG L-Mount  |
| <b>Recording media</b>                          | CFexpress Type B card / SD memory card / SDHC memory card / SDXC memory card                               |
| Image sensor                                    |  |
| <b>Image sensor</b>                             | 35 mm full-frame (35.6 mm×23.8 mm) CMOS sensor, a total of approx. 26,800,000 pixels, primary color filter |
| <b>Effective number of pixels of the camera</b> | Approx. 24,100,000 pixels  |
| Viewfinder                                      |  |
| <b>Type</b>                                     | Aspect ratio 4:3, 0.5 inches, approx. 5,760,000 dots, organic EL (OLED) live view viewfinder               |
| <b>Magnification</b>                            | Approx. 0.78× (−1.0 m <sup>-1</sup> 50 mm at infinity, with aspect ratio set to [3:2])                     |
| Monitor   |  |
| <b>Type</b>                                     | Aspect ratio 3:2, 3.0 inches, approx. 1,840,000 dots monitor, capacitive touch screen                      |
| Interface                                       |  |
| <b>USB</b>                                      | USB Type-C®, USB 10Gbps<br>Supports USB Power Delivery (9.0 V/3.0 A)<br>Output: DC 5 V, 900 mA             |
| <b>HDMI</b>                                     | HDMI Type A  |
| <b>[REMOTE]</b>                                 | Ø2.5 mm jack   |
| <b>[MIC]</b>                                    | Ø3.5 mm stereo mini jack   |
| <b>Headphones</b>                               | Ø3.5 mm stereo mini jack   |

| External dimensions / Mass (Weight)             |  |
|---|--|
| <b>External dimensions</b>                      | Approx. 134.3 mm (W)×102.3 mm (H)×91.8 mm (D)<br>(5.29" (W)×4.03" (H)×3.61" (D))<br>(excluding the projecting parts)   |
| <b>Mass (Weight)</b>                            | Approx. 800 g/1.76 lb (including the camera body, battery, and 1 SD memory card)<br>Approx. 718 g/1.58 lb (only camera body)   |
| Operating environment                           |  |
| <b>Recommended operating temperature</b>        | −10 °C to 40 °C (14 °F to 104 °F)  |
| <b>Permissible relative humidity</b>            | 10 %RH to 80 %RH   |
| Wi-Fi   |  |
| <b>Compliance standard</b>                      | IEEE 802.11a/b/g/n/ac (standard wireless LAN protocol)   |
| <b>Frequency range used (central frequency)</b> | 2412 MHz to 2472 MHz (1 to 13ch)<br>5180 MHz to 5320 MHz (36/40/44/48/52/56/60/64ch)<br>5500 MHz to 5700 MHz (100/104/108/112/116/120/124/128/132/136/140ch)<br>5745 MHz to 5825 MHz (149/153/157/161/165ch) |
| <b>Encryption method</b>                        | Wi-Fi compliant WPA™ / WPA2™ / WPA3™   |
| <b>Access method</b>                            | Infrastructure mode  |
| Bluetooth®                                      |  |
| <b>Compliance standard</b>                      | Bluetooth v5.0, Bluetooth Low Energy (BLE)   |
| <b>Frequency range used (central frequency)</b> | 2402 MHz to 2480 MHz   |

### Battery charger (Panasonic DVLC1005Z):

Information for your safety

|                               |                                 |                  |
|-------------------------------|---------------------------------|------------------|
| <b>Input:</b>                 | 9.0 V === 3.0 A                 | 5.0 V === 1.8 A  |
| <b>Output:</b>                | 8.4 V === 1.2 A                 | 8.4 V === 0.85 A |
| <b>Operating temperature:</b> | 0 °C to 40 °C (32 °F to 104 °F) |                  |

### Battery pack (lithium-ion) (Panasonic DMW-BLK22):

Information for your safety

|                          |                  |
|--------------------------|------------------|
| <b>Voltage/capacity:</b> | 7.2 V / 2200 mAh |
|--------------------------|------------------|

The symbols on this product (including the accessories) represent the following:

|              |
|--------------|
| === DC       |
| Hot surfaces |

## Trademarks and Licenses

- L-Mount is a trademark or registered trademark of Leica Camera AG.
- SDXC Logo is a trademark of SD-3C, LLC.
- The terms HDMI, HDMI High-Definition Multimedia Interface, HDMI Trade dress and the HDMI Logos are trademarks or registered trademarks of HDMI Licensing Administrator, Inc.
- USB Type-C® and USB-C® are registered trademarks of USB Implementers Forum.
- QuickTime and the QuickTime logo are trademarks or registered trademarks of Apple Inc., used under license therefrom.
- The Bluetooth® word mark and logos are registered trademarks owned by Bluetooth SIG, Inc. and any use of such marks by Panasonic Holdings Corporation is under license. Other trademarks and trade names are those of their respective owners.
- "Wi-Fi®" is a registered trademark of Wi-Fi Alliance®.
- "WPA™", "WPA2™", and "WPA3™" are trademarks of Wi-Fi Alliance®.
- QR Code is a registered trademark of DENSO WAVE INCORPORATED.
- Other names, company names, product names mentioned in this document are trademarks or registered trademarks of the companies concerned.



At least three (3) years from delivery of this product, Panasonic will give to any third party who contacts us at the contact information provided below, for a charge no more than our cost of physically performing source code distribution, a complete machine-readable copy of the corresponding source code covered under GPL V2.0 or LGPL V2.1, as well as the respective copyright notice thereof.

Contact Information: [oss-cd-request@gg.jp.panasonic.com](mailto:oss-cd-request@gg.jp.panasonic.com)

The source code and the copyright notice are also available for free in our website below.  
<https://docs.connect.panasonic.com/oss/>

This product is licensed under the AVC Patent Portfolio License for the personal use of a consumer or other uses in which it does not receive remuneration to (i) encode video in compliance with the AVC Standard ("AVC Video") and/or (ii) decode AVC Video that was encoded by a consumer engaged in a personal activity and/or was obtained from a video provider licensed to provide AVC Video. No license is granted or shall be implied for any other use. Additional information may be obtained from MPEG LA, L.L.C.  
See <http://www.mpegla.com>

These symbols indicate separate collection of waste electrical and electronic equipment or waste batteries. More detailed information is contained in "Operating Instructions <Complete Guide>".

### 2023 No. CONSUMER PROTECTION

**The Product Security and Telecommunications Infrastructure (Security Requirements for Relevant Connectable Products) Regulations 2023**

Statement of compliance

We hereby deliver our Statement of Compliance for product (type, batch);

**Digital Camera**  
Refer to the website below for compliant models and their support periods.  
[https://panasonic.jp/support/global/cs/info/im\\_sec\\_info.html](https://panasonic.jp/support/global/cs/info/im_sec_info.html)

Name / address of each manufacturer of the product and authorised representative;

|                    |   |
|--------------------|---|
| Manufacturer name: | Panasonic Entertainment & Communication Co., Ltd.                   |
| Address:           | 1-10-12 Yagumo-higashi-machi, Moriguchi City, Osaka 570-0021, Japan |
| Representative:    | TOSHIYUKI TSUMURA   |

**Declaration of compliance that, in the opinion of the manufacturer, we have complied with the deemed compliance conditions in Schedule 2;**

- No universal default passwords: Complies with ETSI EN 303 645 provisions 5.1-1, 5.1-2**
- Product Security vulnerability report: Complies with ETSI EN 303 645 provisions 5.2-1**  
Panasonic Product Security Incident Response Team link:  
<https://holdings.panasonic/global/corporate/product-security.html>
- Security update periods: Complies with 5.3-13 of ETSI EN 303 645**  
Panasonic product security update link:  
[https://panasonic.jp/support/global/cs/info/im\\_sec\\_info.html](https://panasonic.jp/support/global/cs/info/im_sec_info.html)

Statement of Compliance signatory;

|  |  |
|--|--|
| <b>Company name: Panasonic Entertainment &amp; Communication Co., Ltd.</b> |  |
| Signature by:  | <i>Toshiyuki Tsumura</i>                                   |
| Name:  | TOSHIYUKI TSUMURA  |
| Title:   | Director, Imaging Solution Business Division               |
| Place:   | 1-10-12 Yagumo-higashi-machi, Moriguchi City, Osaka, Japan |
| Date:  | 29/5/2024  |